

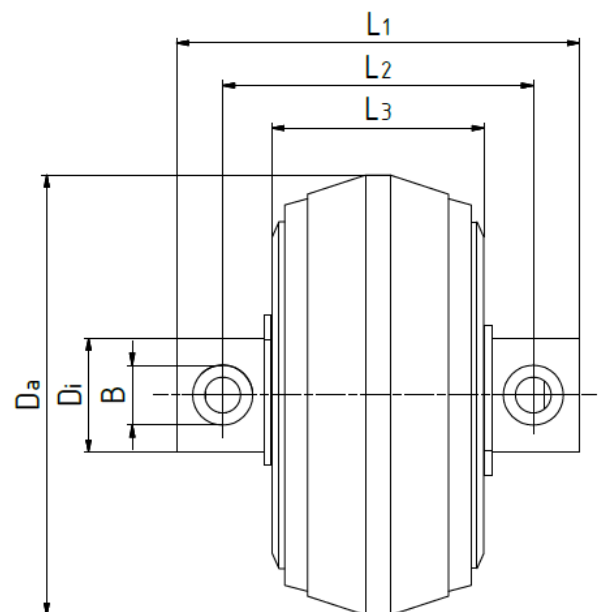
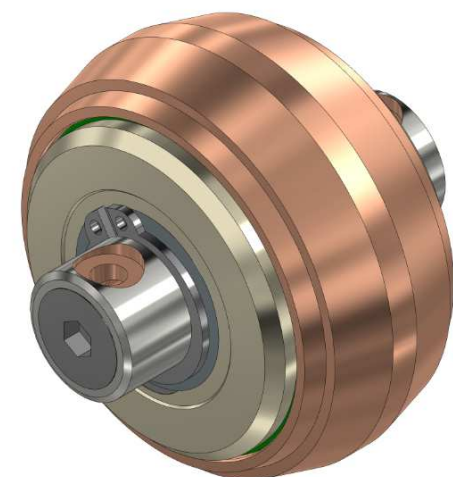
SLIDON Welding Roll RKG

Next generation SABATEC Welding Roll

With our new SABATEC SLIDON welding roll the use of mercury is history. The sliding contacts transfer the current between the motionless part and the rotating outer part. Become environmentally friendly, secure your production and use our SLIDON welding rolls.

Advantages

- Non-toxic production
- Easy to install
- Easy to transport
- Safe production



Welding rolls RKG

SABATEC Art. No.	Description	Da	Di	B	L1	L2	L3
RKG4500	Welding roll Ø45	42.6	10	5.9	42	34	23.7
RKG5200	Welding roll Ø52	49.2	15	7.5	47	38	27
RKG6500	Welding roll Ø65	62.2	16	8.5	57	44	30
RKG7300	Welding roll Ø73	70.2	16	8.5	55.5	44	30